



# MASSAGE CHAIR

## USER MANUAL



RealRelax Inc.

[WWW.REALRELAXMASSAGE.COM](http://WWW.REALRELAXMASSAGE.COM)

USA:(800) 513-5727

FAVOR -03

PLEASE READ AND SAVE THESE INSTRUCTIONS





# TABLE OF CONTENTS

- Thank for your purchase of this product. Before using, please read this USER MANUAL carefully, and pay special attention to the safety precaution to ensure proper operation and use.
- Please keep this USER MANUAL properly for further reference.

---

<b>SAFETY PRECAUTIONS</b>	
MEDICAL WARNINGS -----	01 - 02
WARNING -----	03
FORBIDDEN-----	03 - 04
REMOVE PLUG -----	04
<b>NAME AND FUNCTION OF EACH COMPONENT</b>	
EXTERNAL STRUCTURE -----	05
INTERNAL STRUCTURE -----	06
CONTROLLER -----	07
REMOTE CONTROLLER INSTRUCTION -----	08
AUTO MESSAGE MODE -----	09
CUSTOM MESSAGE MODE -----	10
<b>PREPARATION BEFORE USING</b>	
INSTALLATION METHOD -----	12-16
TURN ON POWER SUPPLY -----	17
MOVE METHOD -----	17
<b>PRODUCE STORAGE AND MAINTENANCE</b>	
INSTALLATION POSITION -----	18
GROUNDING INSTRUCTIONS -----	19
AFTER USING THE CHAIR -----	19
METHODS OF STORAGE -----	19
MAINTENANCE -----	19
<b>TROUBLESHOOTING GUIDE</b>	
KIND REMINDING -----	20
TROUBLESHOOTING GUIDE -----	20
TECHNICAL SPECIFICATIONS -----	21

---



## SAFETY PRECAUTIONS

- Before using, please read this "SAFETY PRECAUTIONS" carefully to ensure proper operation.
- The following "SAFETY PRECAUTIONS" is of great help to your correctly use of this massage chair.
- To clearly indicate the degrees of danger and damage, the classes of accidents caused by incorrect use are classified into "WARNING" and "FORBIDDEN". Instructions marked as followings should be strictly followed.

### ⚠ MEDICAL WARNINGS

NOT RECOMMENDED FOR THE FOLLOWING PEOPLE.

- Patients with serious hyperostosis
- Swollen lump and patient thrombosis

## TECHNICAL SPECIFICATIONS

Name : RealRelax Favor-03 Massage Chair

Rated Voltage: 120V

Rated Frequency: 60hz

Rated Power :100w

Safety Design : Class I

Manufacturer Reserves The Right To Make Changes To Informations Published In This Document, Including Without Limitation Specifications And Product Descriptions, At Any Time And Without Notice.



- Patients with serious heart conditions
- Pregnant Women
- People that consume large amounts of alcohol
- People with diabetes
- People suffering from high fever
- Patients with malignant tumors or malignant abscesses
- People with distorted joints
- People with serious skin conditions
- People with spinal injuries
- All people should consult a physician and exercise care when operating this system
- Minors under 16 years or people unable to control his/her behavior, i.e. mental patients, people with paralysis, etc.
- Should not be allowed to operate the massage chair.

## WARNINGS

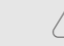
- Use this appliance only for its intended use as described in this manual.  
Do not use attachments not recommended by the manufacturer.
- Never operate this appliance if it has a damaged cord or plug.
- Keep the cord away from heated surfaces.
- Please empty pockets and remove all your arm Jewellery and watch before using this chair
- Do not operate where aerosol (spray) products are being used.
- To disconnect, turn all controls to the off position, then remove plug from outlet.
- Connect this appliance to a properly grounded outlet only. See Grounding Instructions.
- Do not remove the back cushion and do not play with roller mechanism.
- Do not remove the bottom seat and do not play with actuators.
- Keep the cord out of heavy traffic area.
- Always unplug the power cord from the electrical outlet immediately after use.
- Only people less than 120kgs are acceptable.
- Do not operate any equipment with damaged parts.
- Any other use not recommended by the manufacturer may cause electrical shock or injury.
- Do not touch or re-wire the wires connected to the master-box.
- Do not attempt to repair or adjust any electrical or mechanical functions on this unit.  
Doing so will void the warranty.
- Do not put your hands or head under the chair
- When using the massage chair, ascertain that the footrest is in the lowest position.

## FORBIDDEN

- Do not allow children to play near the chair especially during operation
- Do not leave mobility impaired or speech impaired people alone in chair
- Do not place or stock this machine near damp places such as swimming pools or bathrooms
- Do not press by force on the massage rollers
- Do not stand on the chair or store heavy items on the chair
- Do not use in the environment which is dusty, greasy or lacking oxygen


## KIND REMINDING

During daily use, please check whether the following phenomenon exist: Scorched smell  
When touch the wire, the power is on, but sometimes off  
The power supply cord is hot  
Other abnormal phenomenon

 **CAUTION** If problems happen above, please turn off power supply and contact the distributor or manufacturer for assistance.

## TROUBLESHOOTING GUIDE

Problems/Issues	Possible Cause	Trouble Shooting Method
Sounds like tapping or hum sounds	Sounds from air pump, motor or other mechanical parts	Normal phenomenon
Suddenly stops working	1. Bad power connection 2. Auto program timers is up	1. Unplug and reinsert power cord to he chair 2. Normal
Does not work after power up	1. Power switch is not turned on 2. Bad connection between plug and socket 3. Massage remote is not turned on 4. Have broken power wire plug 5. Bad fuse 6. Control unit for functioning properly	1. Turn power switch on 2. Connection power cord again 3. Press power button on remote 4. Contact professional technician 5. Replace fuse 6. Contact professional technician
Roller height changes	Rollers work alternately	Normal phenomenon
Abnormal sounds suddenly while working	Maybe from over working the massage chair	1. Cut down usage 2. Contact professional technician
Can not recline the chair	Obstruction—be sure that the chair is allowed enough room to fully recline	Stop chair opearion, and move obstruction
can not restore position after reclined	Problem on electric motion pole or plug under bad connection	Contact professional technician

 **ATTENTION**  
If problems are not from above reasons, please turn off power supply and contact the distributor or manufacturer for assistance.

Note : Do not dismantle the produce by yourself, and our company shall shoulder no responsibility to the damage of the product or the inquiry of people caused by improper use. Thanks for your cooperation !

## GROUNDING INSTRUCTIONS

This product must be grounded. If it should malfunction or breakdown, grounding provides a path of least resistance for electric current to reduce the risk of electric shock. This product is equipped with a cord having an equipment-grounding conductor and a grounding plug. The plug must be plugged into an appropriate outlet that is properly installed and grounded in accordance with all local codes and ordinances.

**DANGER** – Improper connection of the equipment-grounding conductor can result in a risk of electric shock. Check with a qualified electrician or serviceman if you are in doubt as to whether the product is properly grounded. Do not modify the plug provided with the product – if it will not fit the outlet; have a proper outlet installed by a qualified electrician.

## AFTER USING THE CHAIR

- Please power off the chair and unplug power cable from power the supply socket after using disconnect the controller and store carefully
- Please power off the chair and unplug the chair from the power supply socket when the chair is not in use, to avoid children to start the chair accidentally
- Please store well the chair if it is not in use for a long time.

## METHODS OF STORAGE

- Do not dismount the back of the chair
- Keep the massage chair free of dust
- Cover the chair with dust-free cloth to prevent dust from collecting
- Do no store in a hot, humid, damp place or in direct sunlight or heat
- Do not store in an overly cold place

## MAINTENANCE

- Before cleaning unplug from electrical source to avoid shock
- Clean the cloth surface with neutral detergent or special mild detergent for cloth
- Dust can be cleaned off with a damp cloth of mild detergent and air dry
- Do not spray pesticide on device
- Specified cleaner can be used on the leather, plastic, and dried with a cloth
- Do not use a damp cloth on the electronic components which can cause shock and damage
- The leather covers (headrest, seat cushion, foot cushion) can be removed for cleaning

- Do not place near steam oven, open fire, or heat
- Wear suitable clothing, do not massage with bare skin
- Do not place directly in the sun
- Do not use electric blanket while using the massage chair
- Do not use outdoors
- Do not use while smoking
- Do no use immediately after meals
- Do not sit on the back cushions, armrest, or legs
- Don't use the massage chair when your body is wet or moist as it can result in electrical shock
- Do not operate with more than one person
- Don't use when using head ornamentation as it can result in injury
- Do not stumble over electrical wires or connections

## REMOVE PLUG

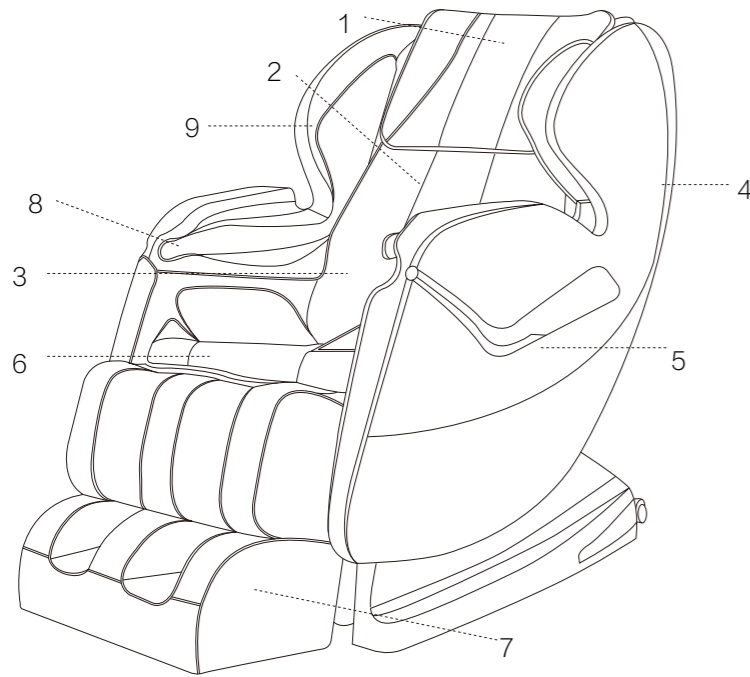
- Before maintenance, please pull out power plug. In addition, please do not insert or unplug the power plug with damp hands, to avoid electric shock.
- When the massage chair is not in use, please switch off power and remove the plug from socket. When power is off, please cut off power supply immediately and pull out the power plug from socket.

## BE CAREFUL

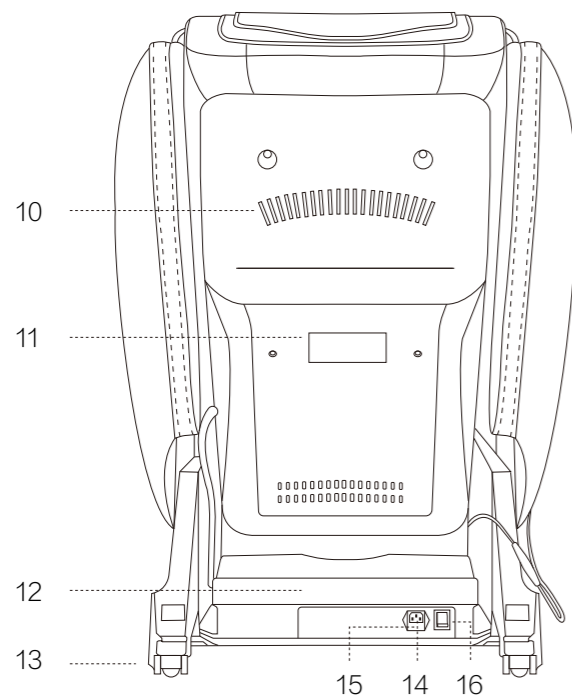
- Please avoid using a massager after drinking or when you are not feeling well.
- Do not massage the head, elbow joints, knees, chest, abdomen, etc. directly on the massage ball.
- Do not damage the power cord or operate the massager while the power cord is damaged. This may result in electric shock or mechanical failure. Please contact the service center for a detailed inspection.

# NAME AND FUNCTION OF EACH COMPONENT

## EXTERNAL STRUCTURE



- 1.Pillow
- 2.Backpad
- 3.Seat Vibrater
- 4.Backrest
- 5.Armrest
- 6.Seat
- 7.Footrest
- 8.Shoulder Units
- 9.Forearm Units

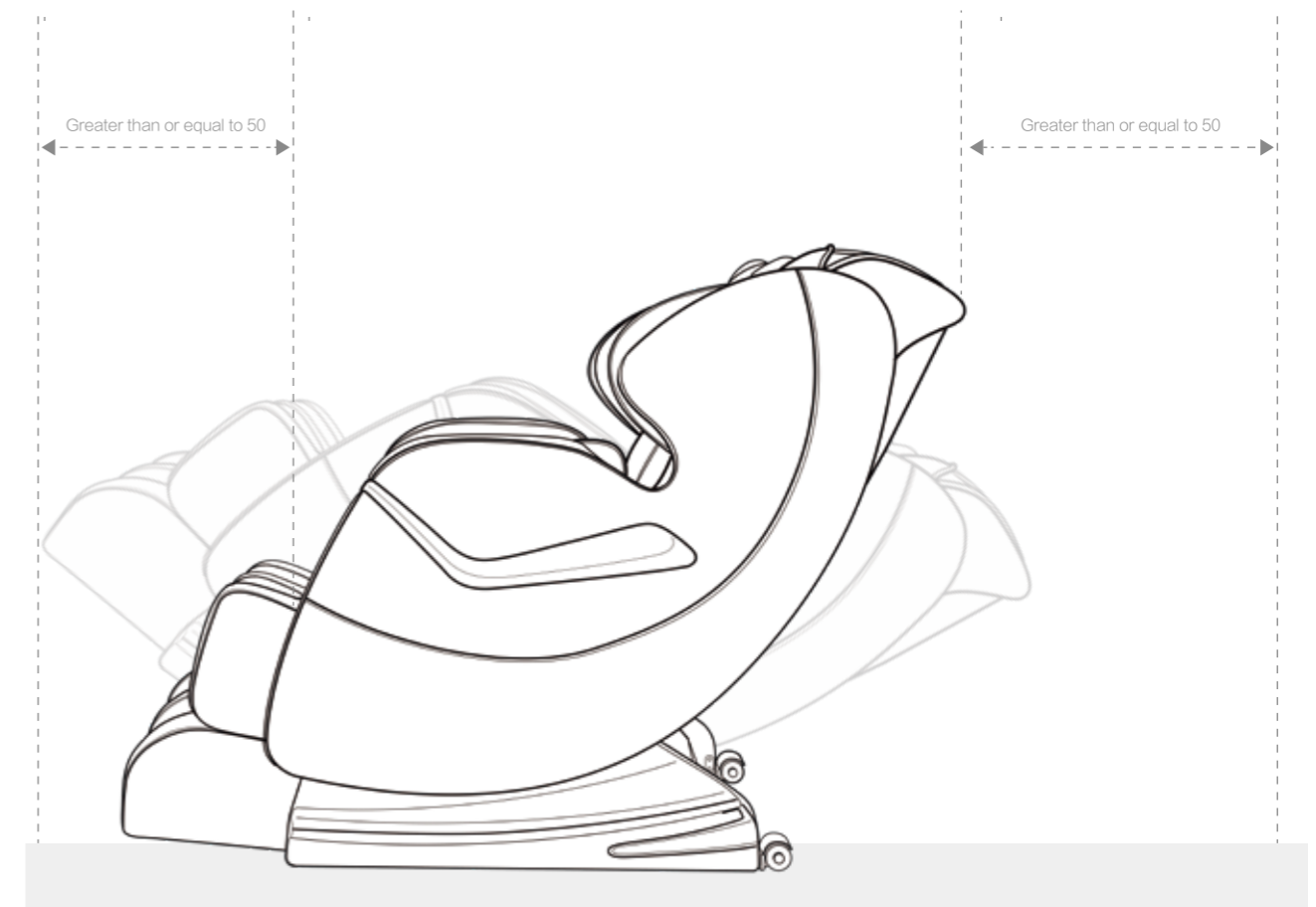


- 10.Air Vent
- 11.Specification Label
- 12.Power Supply
- 13.Wheels
- 14.Power Switch
- 15.Electrical Fuse
- 16.Cord Connector

# INSTALLATION POSITION

PLEASE LEAVE THE SPACE AROUND THE MASSAGE CHAIR WHEN PREPARING THE MASSAGE.

- (1) Place a massage chair in a place where there is enough space for the back of the chair to recline and the stand to rise.
- (2) Make sure that there is at least 50 cm in the back of the massage chair and at least 50 cm in front of the massage chair. In order to prevent from signal interference, please keep at least 1m away from the TV, radio and other video and audio devices.



**CAUTION** Before using, please tidy up well the cables to avoid twining or damage. When the whole chair makes slide movement forward or backward to original position, please check first whether there are kids, pets or any other objects to avoid accidents. Please put carpet or other pad under the massage chair, in order to avoid any unpredictable impression on the floor.

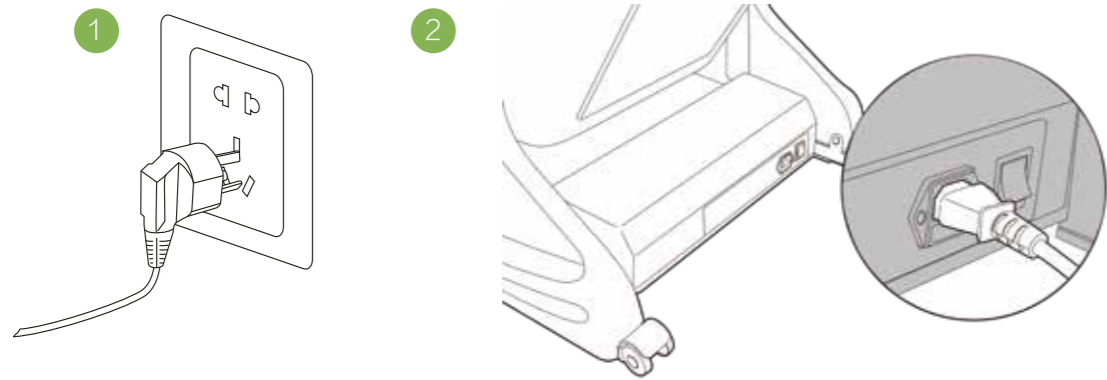
## SURROUNDING ENVIRONMENT

- Keep the massage chair away from damp places (for example: bathroom) to avoid electric leakage
- Keep the massage chair away from high temperatures sources (for example: stove) to avoid fire or damage to leather material



## 2 TURN ON POWER SUPPLY

1. Plug the power cord into three core socket with well grounding.
2. Turn on the power switch on the bottom of massage chair.

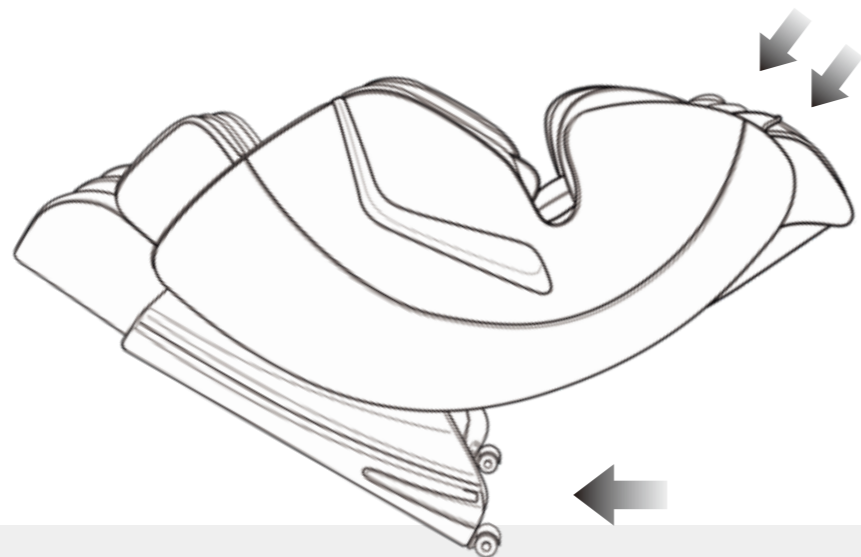


CAUTION

- Before switching on the chair, please make sure there is no damage on the power wire and other exposed wires.
- Make sure the power switch is off before the chair is connected to electricity.

## 3 MOVE METHOD

- There are moving rollers at the bottom of the chair.
- Raise the back to the highest point.
- Switch off and plug out the chair.
- Lift the front part of the chair as shown in the figure (one person raise the front part via holding moving holder, another person push the chair when holding the top of the chair), move the chair by the rollers.

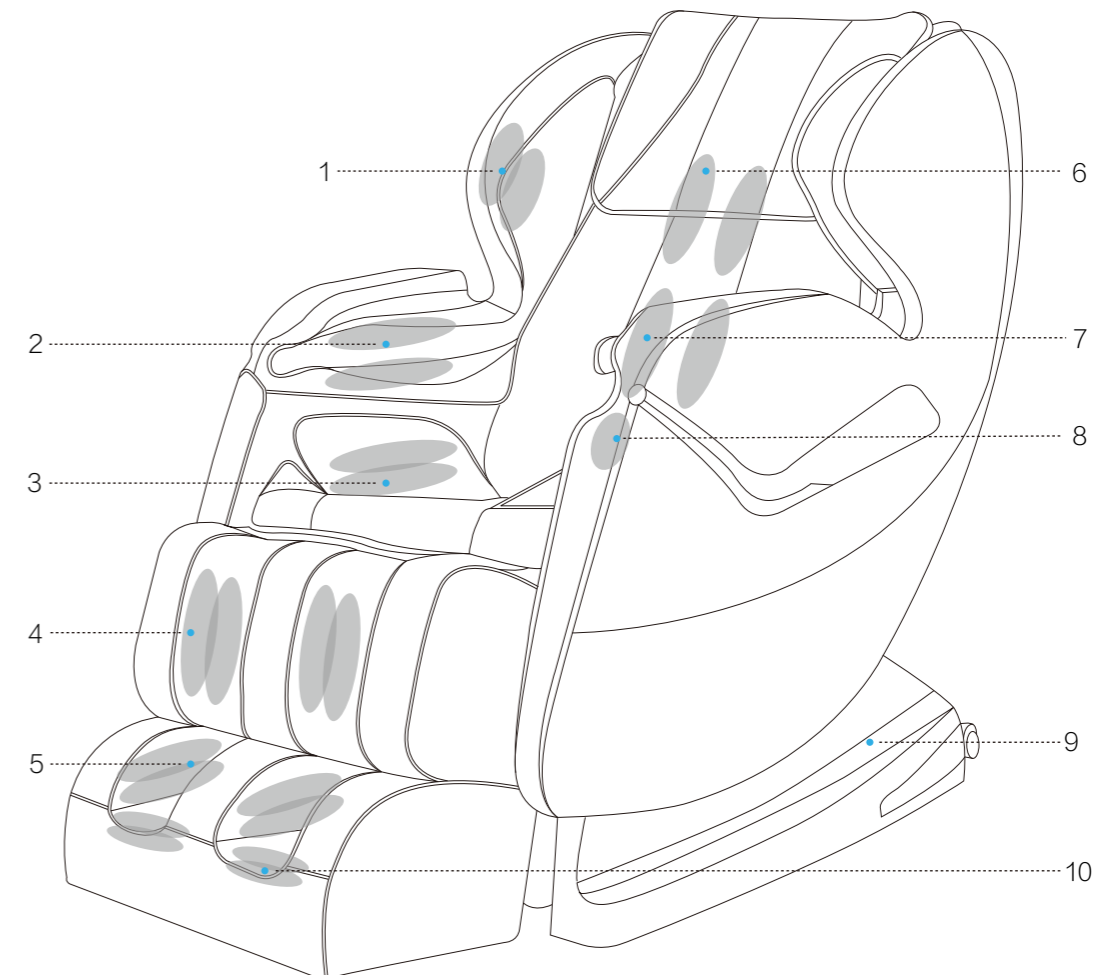


CAUTION

- Don't move it when there is people in it.
- Don't use the armrest while moving the chair, only hold the moving holder in the back and front.

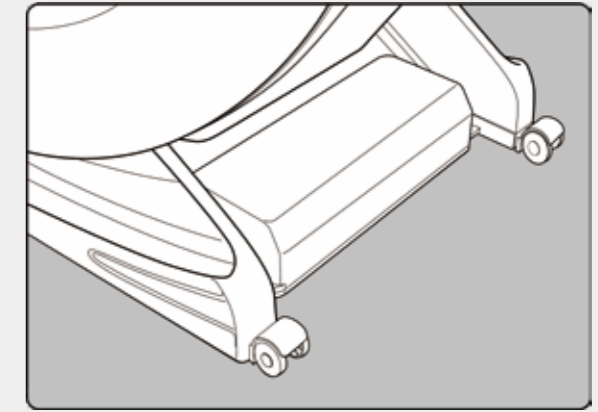
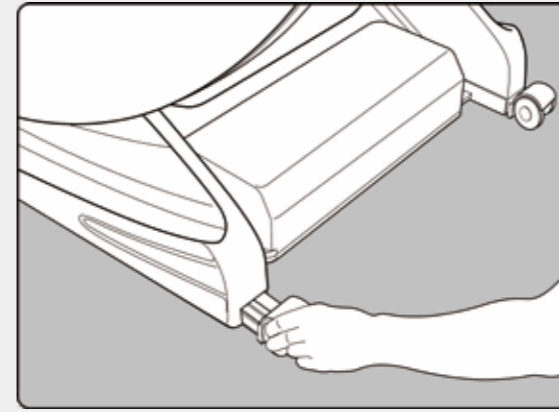
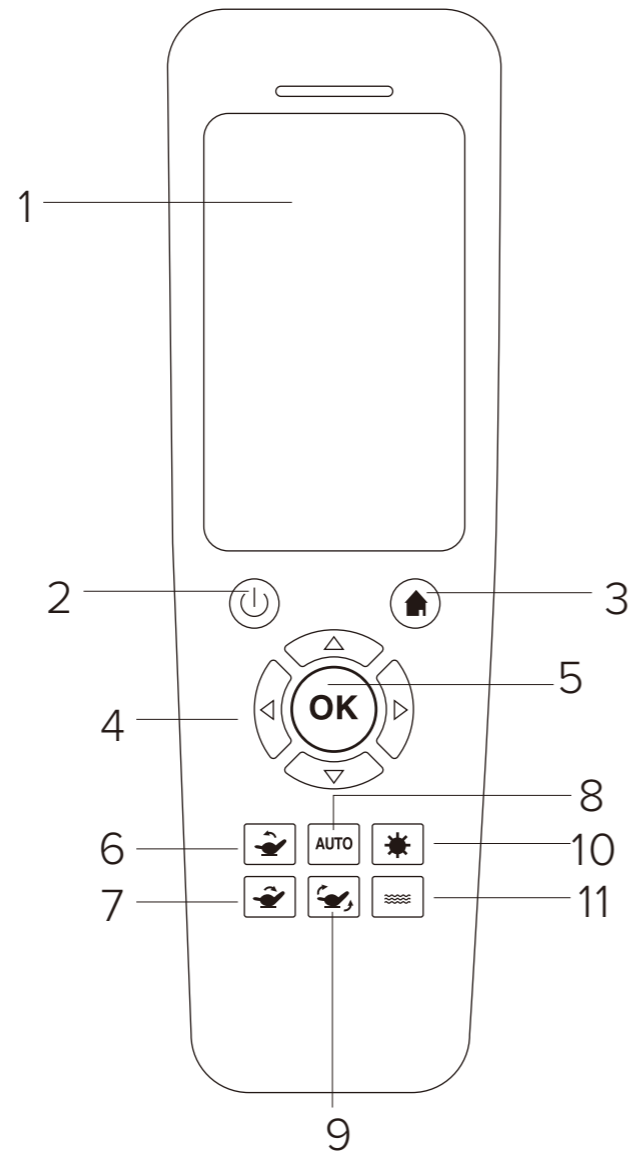
## INTERNAL STRUCTURE

- |   |                           |    |                          |
|---|---------------------------|----|--------------------------|
| 1 | Shoulder Air Massage Unit | 6  | Back Massage Points      |
| 2 | Armrest Air Massage Unit  | 7  | Waist Massage Points     |
| 3 | Seat Air Massage Unit     | 8  | Back Heat                |
| 4 | Foot Air Massage Unit     | 9  | Slide Rail               |
| 5 | Sole Air Massage Unit     | 10 | Foot Roller Massage Unit |

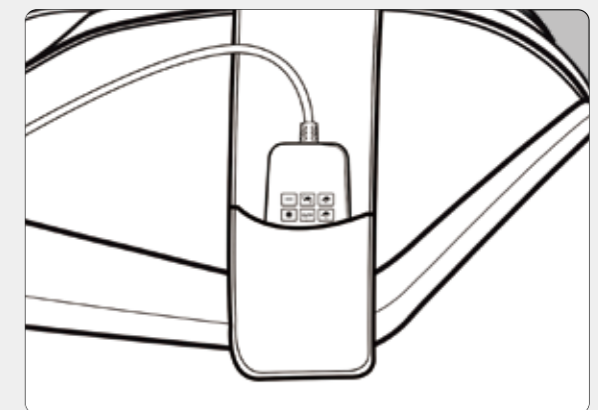
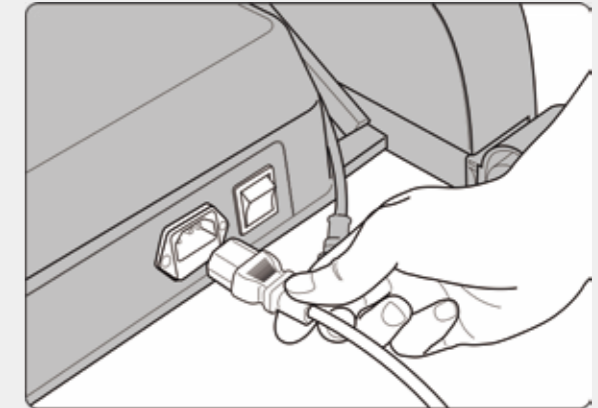
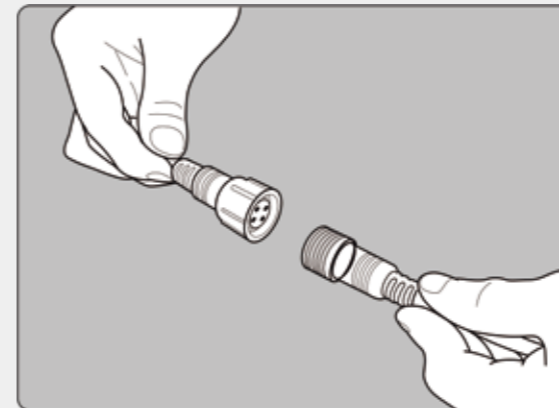


## REMOTE CONTROL

- 1 TFT Display
- 2 Power Button
- 3 Menu Button
- 4 Direction Buttons
- 5 OK Button
- 6 Backrest Rise
- 7 Backrest Down
- 8 Auto Mode Selection Button
- 9 One-Button Zero Gravity
- 10 Heater Button
- 11 Seat Vibrate Button

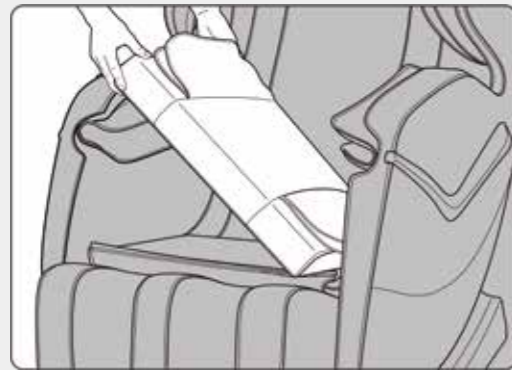


10. Wheels should be pushed firmly into the back of the chair. Secure the wheel with screws.

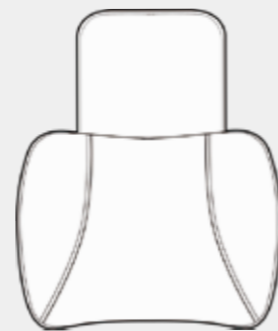


11. Connect the remote to mainbody, install the remote bag to right armrest. Put the remote control into the bag, plug in the main power.

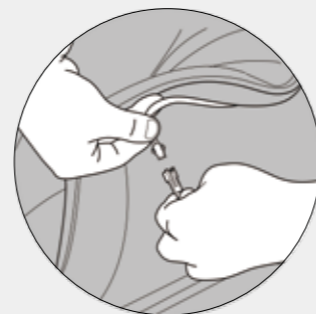
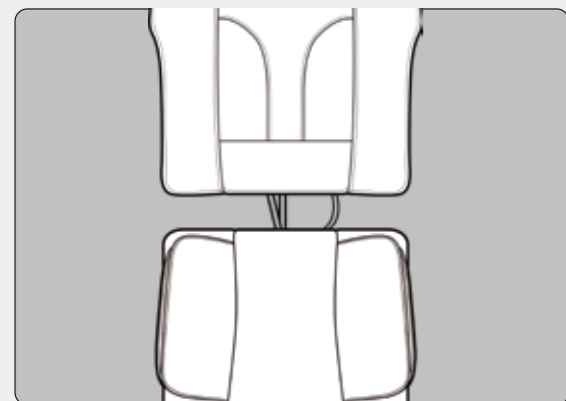
## REMOTE CONTROL FUNCTION INTRODUCTION



7、 Next, install the seat,connect the two air plugs,and the wire firmly.



8、 The chair pad is attached at the top witha zipper.



9、 Next install the chair pad,The chair pad is attached at the top with a zipper. Connect the pad wire to the main unit.



On/Off:  
This button starts/stops the massage system.



MENU:  
Click this button to choose auto mode,manual mode,air pressure massage, heat,vibration,and setting menu.



Direction adjustment:  
under menu,press the button to adjust direction.when program is determined, press the middle OK button to confirm it and enjoy the chosen function.



Backrest Rise:  
Press this button,the backrest will be moved up to the original position,press again to stop.



Backrest Down:  
Press this button,the backrest will be moved down to the lowest position,press again to stop.



Zero gravity:  
one-button zero gravity,press this button to zerogravity position



AUTO:  
when massage chair is working,press auto button to switch 4 auto programs.

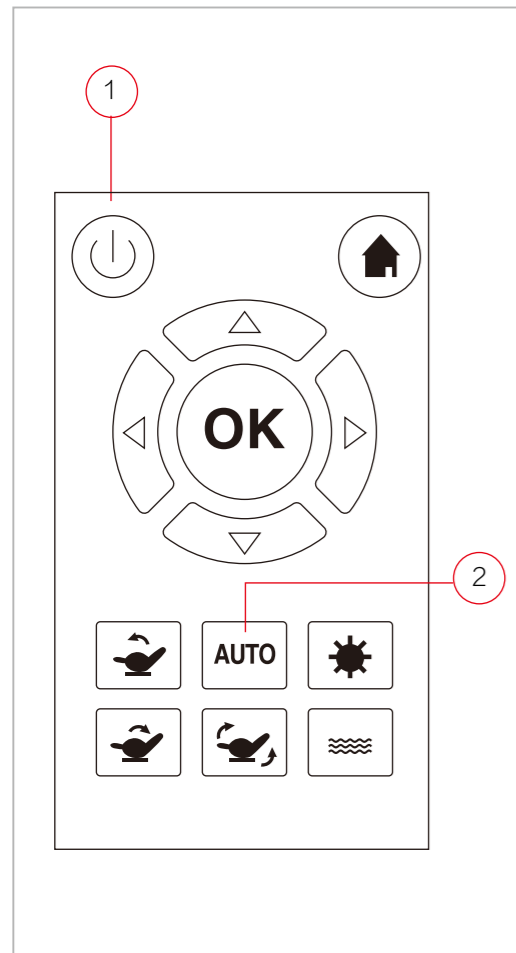


Heat:  
press this button to on/off the heater



Vibration:  
press this button to on/off the vibrator

## AUTO MODE



### Select Auto massage mode

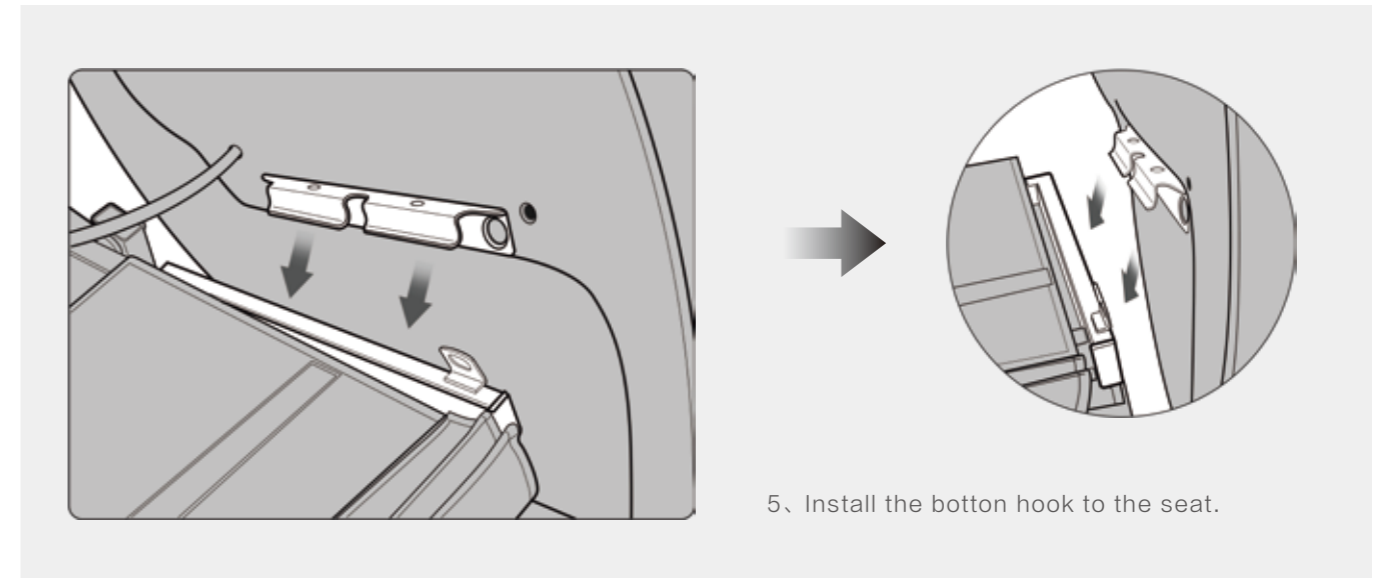
1. When electricity is connected, press power button, LCD is on, and massage chair will automatically start auto program one.
2. You can choose relaxing, mild, strong or sleep according to your own body state and massage time.
3. Auto massage mode will stop automatically after 15 minutes.

### Adjusting the backrest and zero-gravity

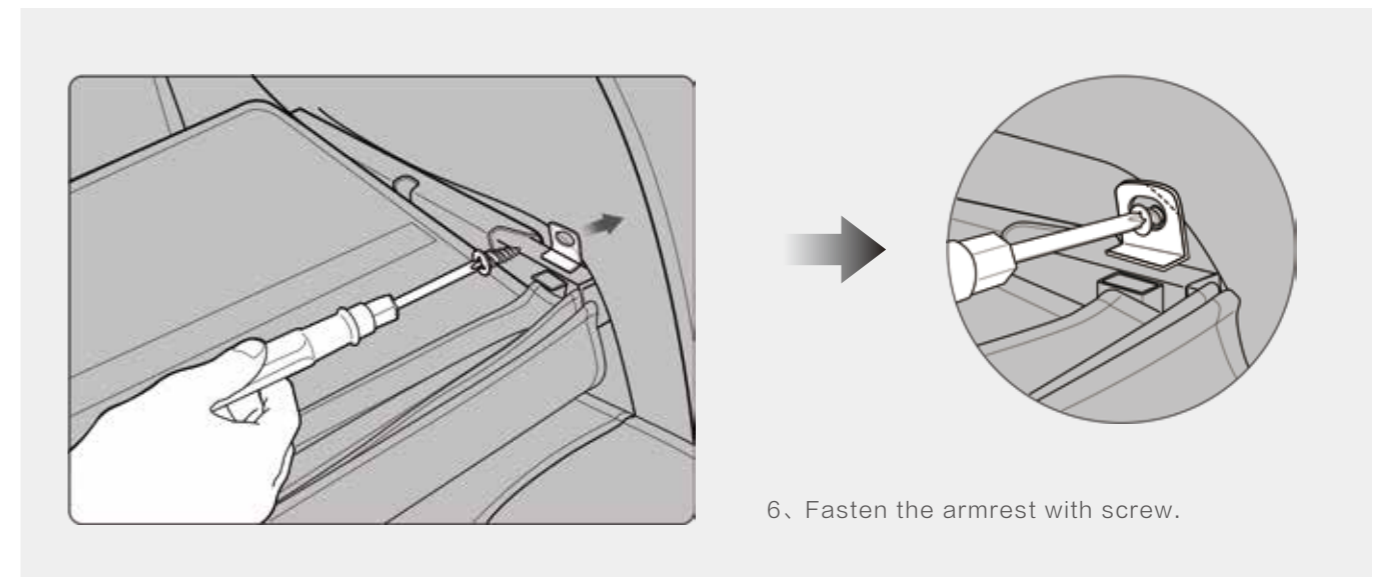
- You can adjust the backrest or set into zero-gravity position during auto massage, press “” “” and “”

### Leg extension settings

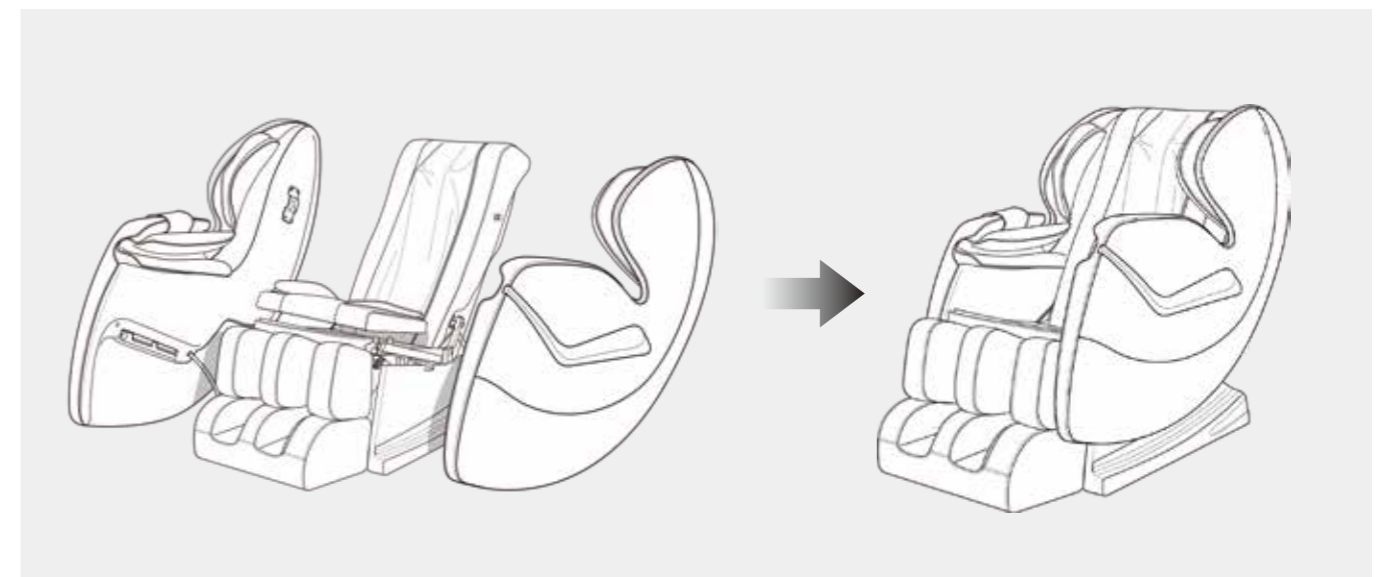
- Footrest unit will automatically extend to suit taller individuals.



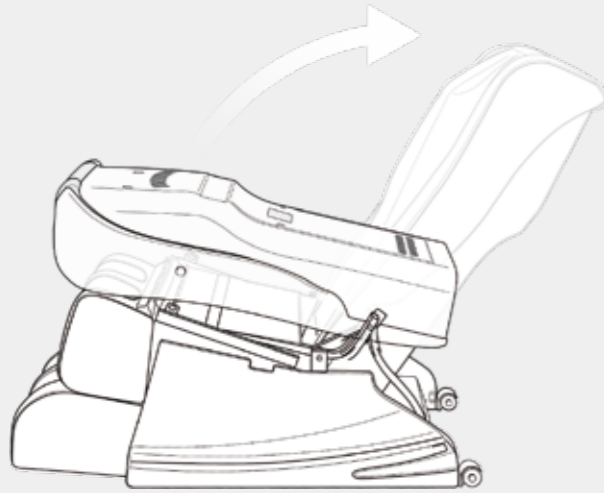
5. Install the bottom hook to the seat.



6. Fasten the armrest with screw.



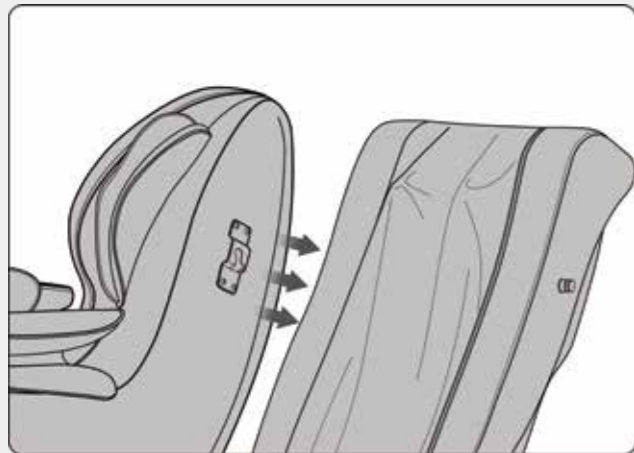
## INSTALLATION STEPS



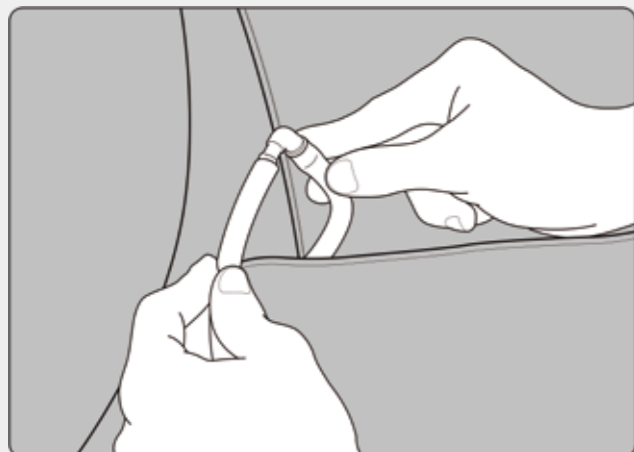
1、 First, lift the backrest.



2、 When you hear a click, the backrest is installed.



3、 Install the hook to mainbody.




4、 Connect the airplug.

## CUSTOM MESSAGE MODE

- By selecting a single massage area, auto massage will stop  
You can turn on a single massage area, or multiple areas.
- This allows you to give yourself a complete customizable massage.
- You can also adjust the strength of the air bags and intensity of the rollers.

## ABOUT THE REMOTE CONTROL PANEL



Press  Into Custom Massage Mode  
Into The Main Menu, you Can See:

Auto: Select 4 Auto mode

Airbag: Turn on/off the airbags and adjust air pressure.

Manual: Turn on/off the rollers and adjust speed.

Other: Turn on/off the foot rollers heater and vibrator.

Setting: Timer control.



Vibrate: Press "VIBRATE" To Turn On Or Off Seat Vibration.



Heat: To turn on/off the seat heating.



Back Rise/back Down: Press To Lower Or Raise Backrest And Feet.

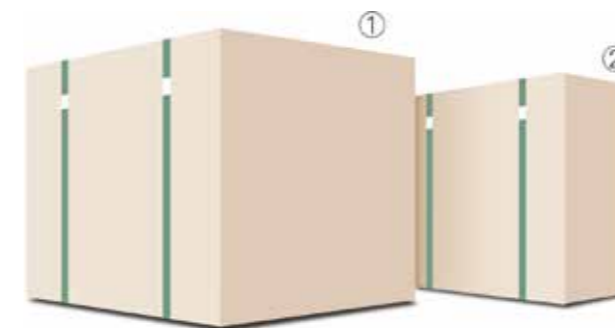


When the massage time is finished the unit will return to upright position and shut down automatically.

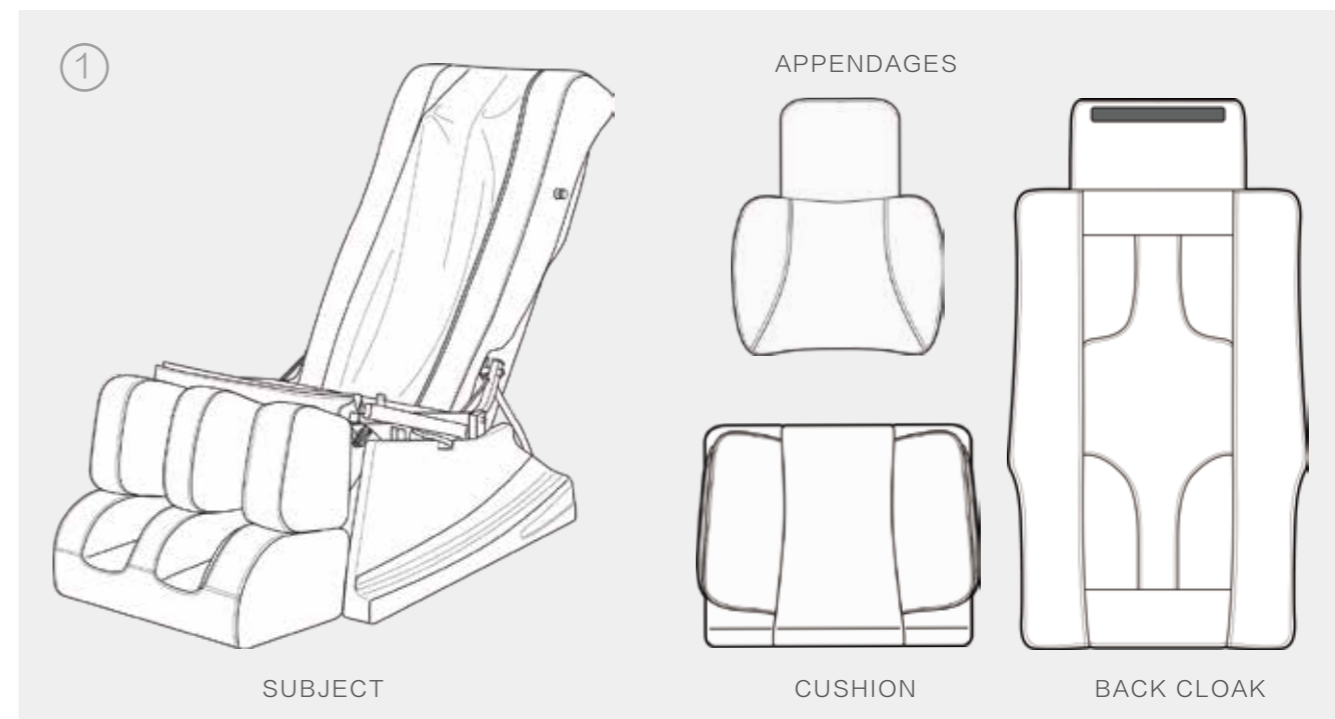
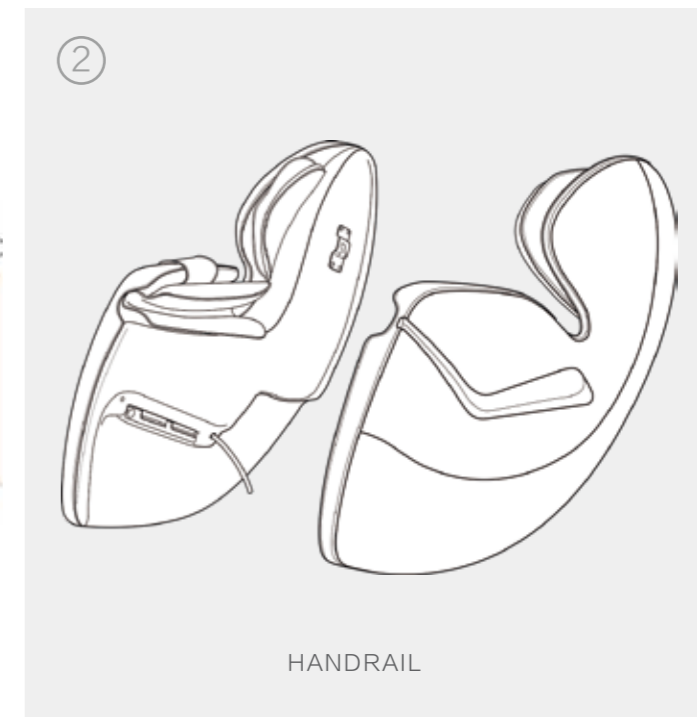
# PREPARATION BEFORE USING

## 1 INSTALLATION METHOD

### ACCESSORIES FROM BOX



Step 1: Unpack the two packages  
Take out the main body, armrest, footrest from  
the carton carefully.



This model is divided into packaging.  
After dismantling the package, carefully remove the  
Massage chair and install it according to the instructions.  
(just plug in the power cord to use).